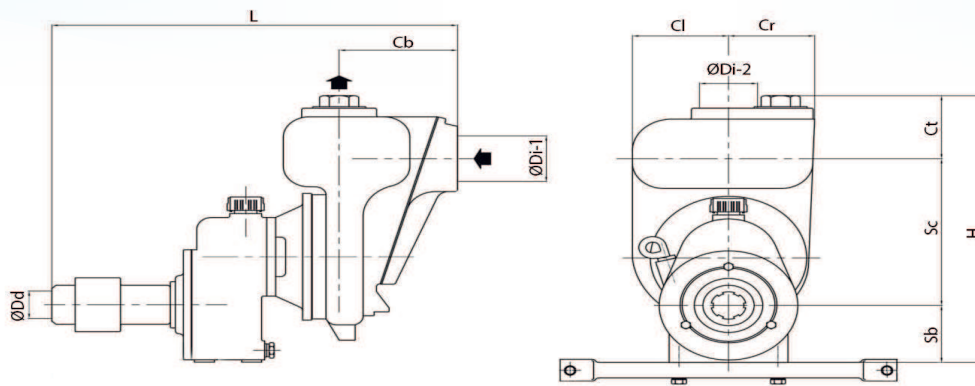


Model	L	H	Cr	Ct	Sb	Sc	Dd	Di-1	Di-2
7024364	374	294	90	160	73	61	13/8"	2"	2"

All dimensions are in mm.



Model	L	H	Cb	Cl	Cr	Ct	Sc	Sb	Dd	Di-1	Di-2
7024365	408	326	122	98	89	66	187	73	13/8"	2"	2"